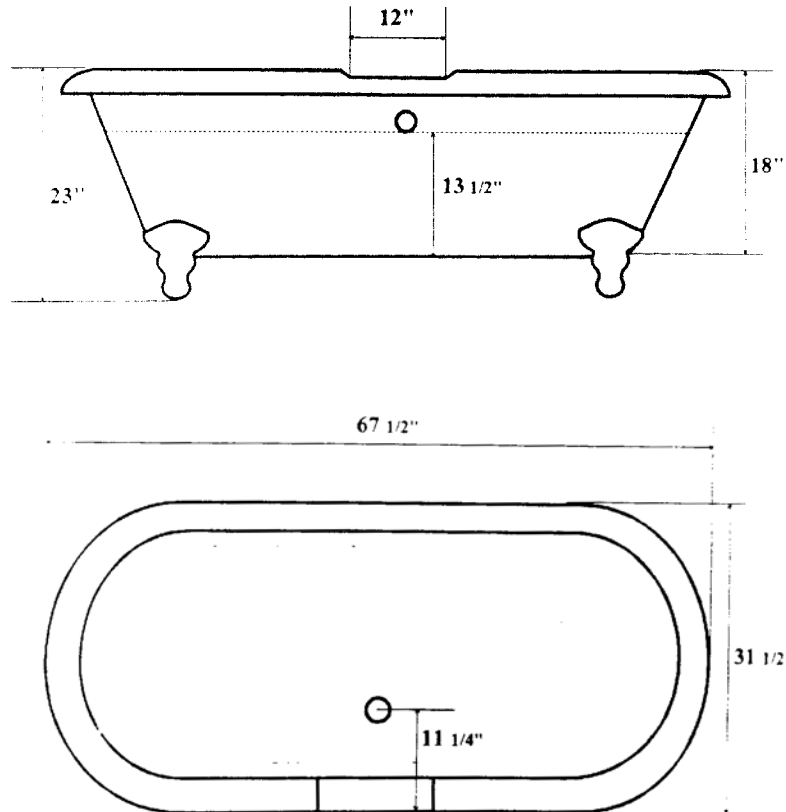


VINTAGE BATH LOS ALTOS

650 948.3147

FAX 650 948.3454

DUAL BATH



54 GAL. WATER CAPACITY

DRILLED WITH 8" CC ON 12" DECK, CUSTOM DRILLED, OR PROVIDED WITH A FULL RIM
INTERIOR 48" X 19"

WASTE IN FLOOR IS 1 1/2" IN FROM OUTER EDGE OF TUB

EXTERIOR IS PRIMED WITH EPOXY THEN FINISHED WITH A HIGH GLOSS URETHANE.
TUBS SHOULD BE ORDERED PRIMED ONLY FOR CUSTOM PAINTING

DUAL BATH AVAILABLE WITH IMPERIAL OR NOUVEAU FEET STYLES

WHITE
UNPROTECTED BRASS
BRASS
CHROME
POLISHED NICKEL
SATIN NICKEL