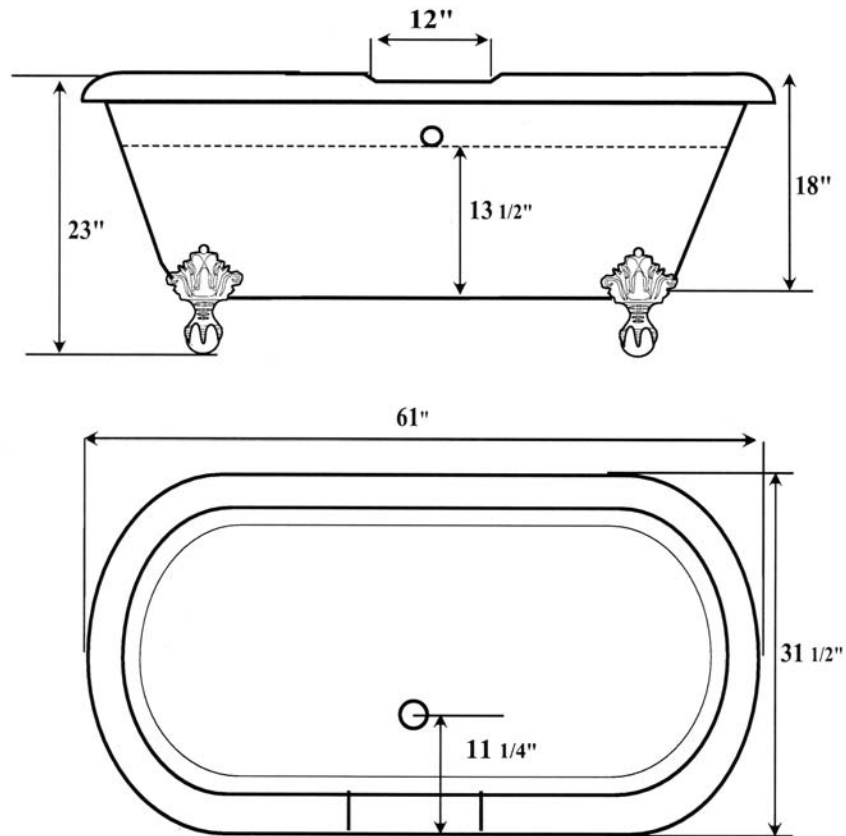


VINTAGE BATH LOS ALTOS

650 948.3147

FAX 650 948.3454

DUAL BATH



50 GAL. WATER CAPACITY

DRILLED WITH 8" CC ON 12" DECK, CUSTOM DRILLED, OR PROVIDED WITH A FULL RIM
WASTE IN FLOOR IS 1 1/2" IN FROM OUTER EDGE OF TUB

EXTERIOR IS PRIMED WITH EPOXY THEN FINISHED WITH A HIGH GLOSS URETHANE.
TUBS SHOULD BE ORDERED PRIMED ONLY FOR CUSTOM PAINTING.

DUAL BATH AVAILABLE WITH IMPERIAL OR NOUVEAU FEET STYLES. OR PEDESTAL BASE.

WHITE
UNPROTECTED BRASS
BRASS
CHROME
POLISHED NICKEL
SATIN NICKEL
WITH PEDESTAL BASE