

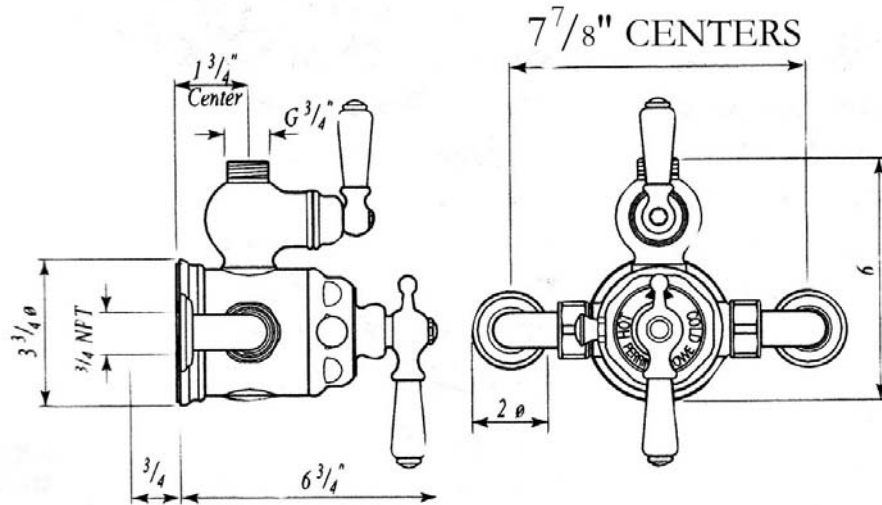
VINTAGE BATH LOS ALTOS

650 948.3147

FAX 650 948.3454

PERRIN & ROWE EXPOSED THERMOSTATIC SHOWER

PORCELAIN LEVERS ARE STANDARD, ALSO AVAILABLE WITH SOLID LEVERS OR CROSS HANDLES (ON THE VALVE BODY ONLY).



EXPOSED WITH TUBFILL

